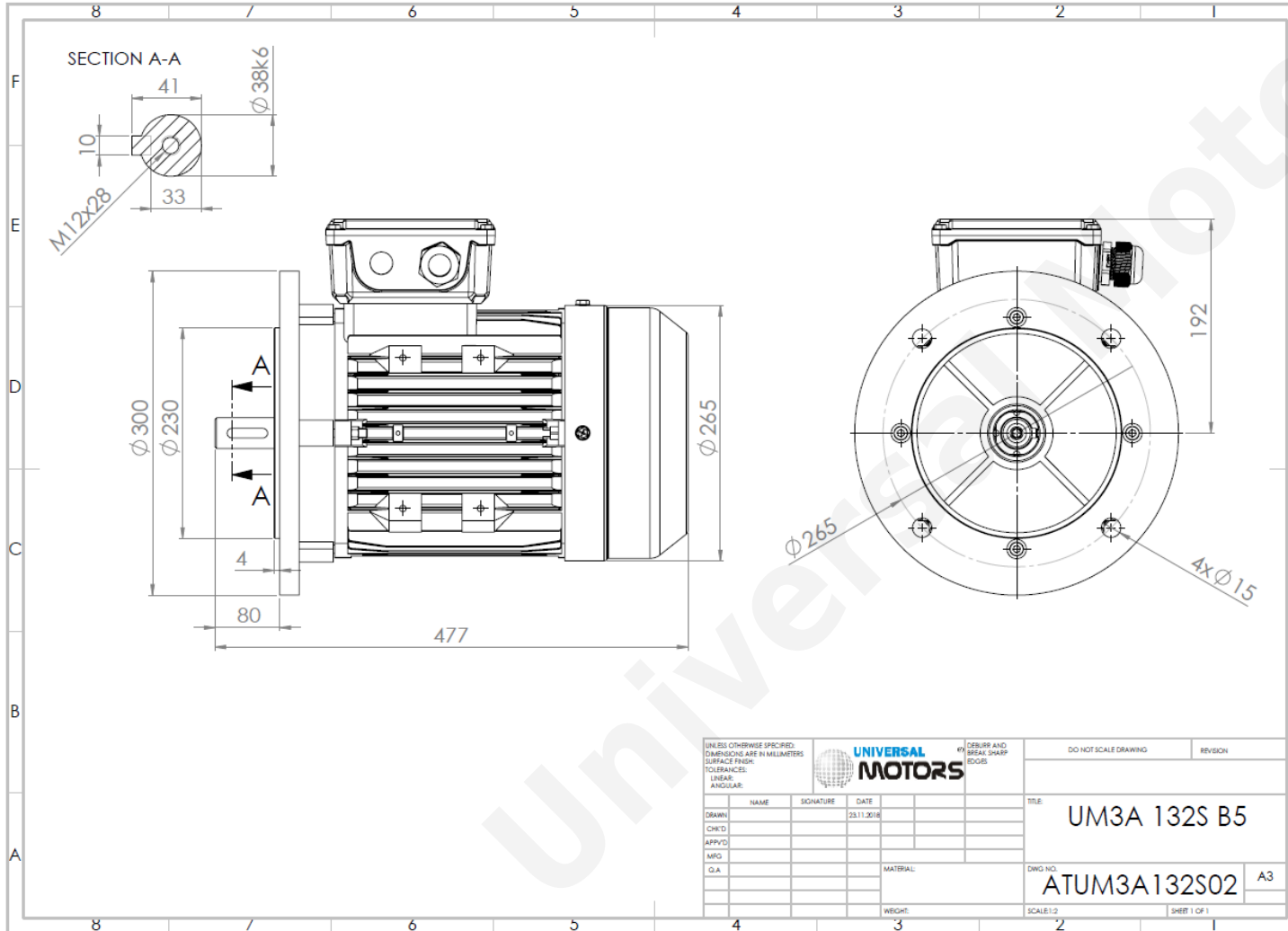




TECHNICAL DATA

Three Phase Electric Motors - Aluminum Frame
 PE31 132S2-2
 7.5 kW / 10 Cv
 2915 RPM



Motor type:	PE31 132S2-2
Output:	7.5 kW / 10 Cv
Speed (min ⁻¹):	2915 RPM
Frequency:	50 Hz
Voltage:	400 V
Current:	13.5 A
Power factor (Cos Ø):	0.89
Poles:	2
Insulation class:	F
Temperature rise Class:	B
Efficiency 50%:	88.3 %
Efficiency 75%:	89.2 %
Efficiency 100%:	90.1 %
Torque:	24.6 N.m
Tstarting/Tnominal:	2.2
Istarting/Inominal:	7.8
Tmaximum/Tnominal:	2.3
Noise:	85 Db(A)
Weight:	52 Kg
Bearing DE:	6308 2Z C3
Bearing NDE:	6308 2Z C3

UNLESS OTHERWISE SPECIFIED, DIMENSIONS ARE IN MILLIMETERS			UNIVERSAL MOTORS		DO NOT SCALE DRAWING		REVISION	
SURFACE FINISH:			DEBURR AND BREAK SHARP EDGES		TITLE: UM3A 132S B5			
TOLERANCES:					DWG NO. ATUM3A132S02			
LINEAR:					SCALE: 1:1			
ANGULAR:					SHEET 1 OF 1			
NAME	SIGNATURE	DATE						
DRAWN		23.11.2018						
CHK'D								
APP'VD								
MFG								
Q.A.								
MATERIAL:								
WEIGHT:								

Regime - S1

Altitude - 1000m

Environment Temperature - 40°C

CONTACTS:

UNIVERSAL MOTORS Tel: +351 252 299 080
 Rua de São Brás,745 Fax: +351 252 299 089
 4480-782 VILA DO CONDE Mail: geral@universalmotors.pt

* References applied only in the UK